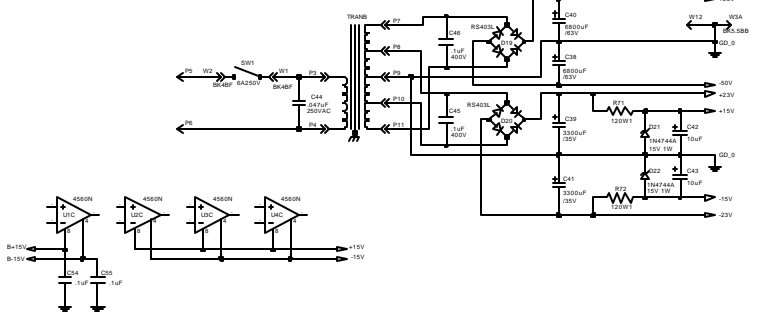
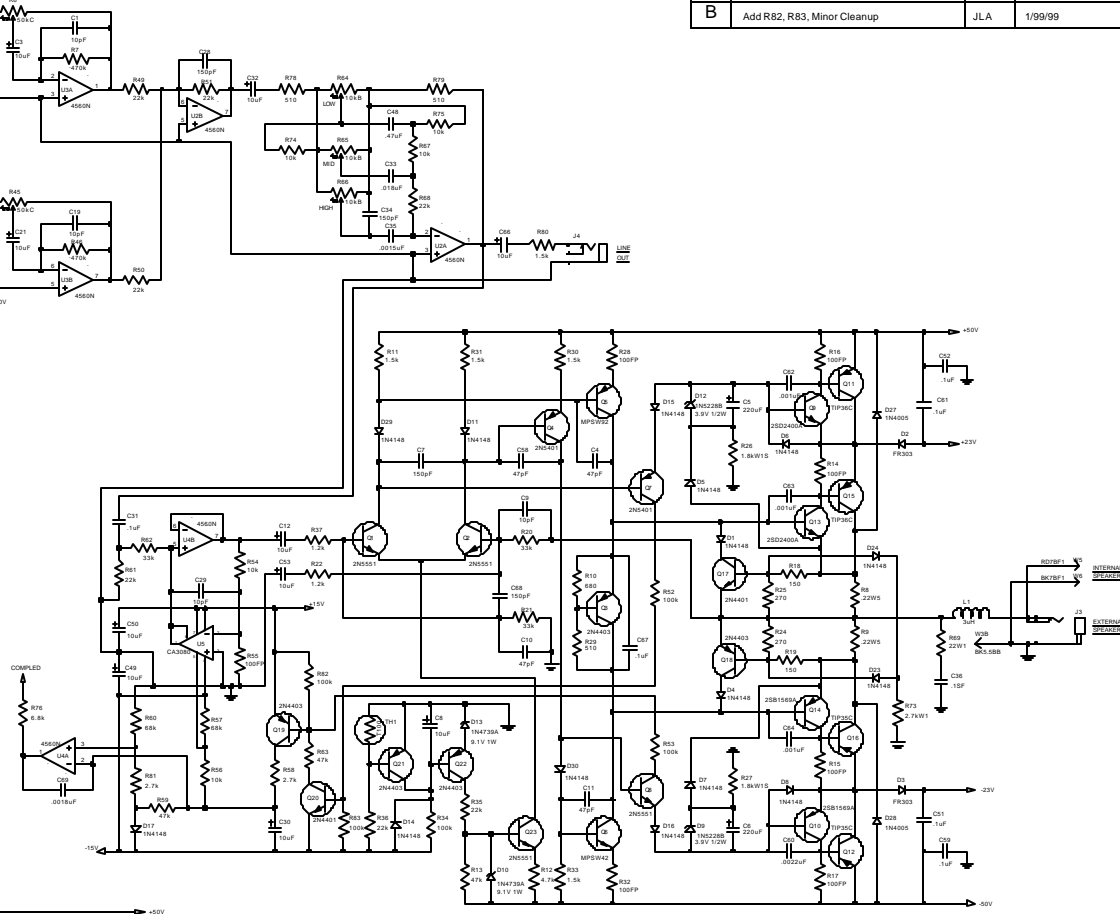


REV	BY	DESCRIPTION
A	JLA	Release
B	JLA	Add R82, R83, Minor Cleanup

REV	EC NUMBER	BY	DATE
A		JLA	5/15/98
B		JLA	1/99/99



Galaxy Audio®

PA-V Hot Spot
Schematic Diagram

ENGINEER:	J. Aubuchon		
CHECKED BY:	J. Aubuchon		
APPROVED BY:	J. Aubuchon		
FILENAME:	Pavs.dbf		
SIZE:	DRAWING NUMBER	DATE	SHEET
C	SAHSPA5PCC	1-FEB-1999	1 of 1